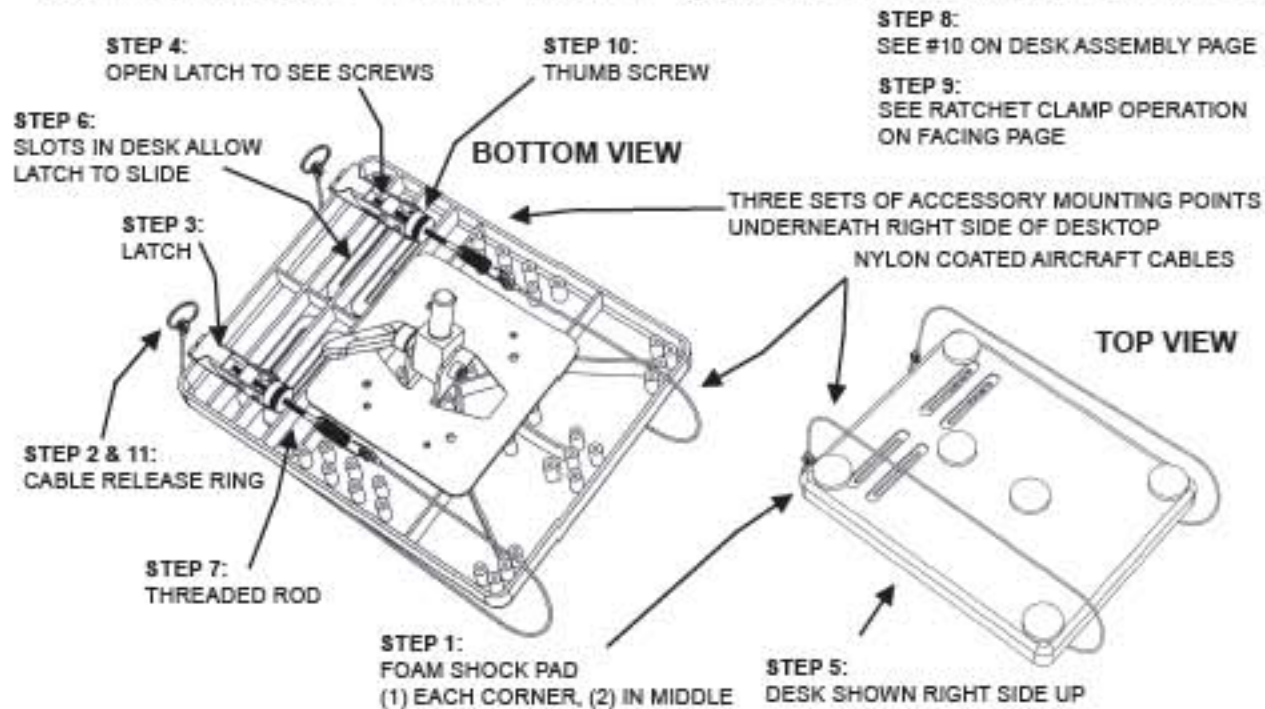


# SETTING UP THE "ACD" CABLE-DOCK DESKTOP



- STEP 1** Place the six foam shock pads on desktop surface in a similar pattern as shown.
- STEP 2** Free cables from latches and flip desktop over, keep latches on right side.
- STEP 3** Open bottom latch to access the two adjusting screws for properly locating the latch location in desk slots (you may need to screw the long threaded rod out of the way).
- STEP 4** Use a standard blade screwdriver to loosen (but not remove) the two screws.
- STEP 5** Turn desk right side up with the latches on the left side. Place computer on top and line up top cable to rest above the "F" (function) keys, then secure by throwing latch.
- STEP 6** Slide bottom latch and cable to desired position, usually just below last row of keys and secure. If needed, fine tune bottom latch position. Now tighten the two latch screws.
- STEP 7** Adjust the tightening tension of the cables by rolling the cable between the thumb and fingers. This will turn the threaded rod in the latch and thereby adjust the cable length to achieve the desired tension.
- CAUTION:** DO NOT SHORTEN THE CABLES TO A POINT WHERE THE SPRING UNDER THE DESKTOP IS STRETCHED MORE THAN 3X THE ORIGINAL LENGTH WHEN LATCH ASSEMBLY IS CLOSED.
- STEP 8** Place the desktop on the arm, setting the pivot post found underneath the desktop into hole at end of arm.
- STEP 9** To set the desktop angle, adjust, ratchet handle to securely tighten desktop in desired angle. Adjust, ratchet handle at end of articulated swing arm so that the desktop should be able to rotate with firm hand pressure.
- STEP 10** To prevent release of latch, use thumb screw to tighten against the latch. To release the latch back thumb screw one full turn and throw latch.
- STEP 11** To release and secure cables, pull down on metal ring at end of cable and feed cable into the forked prongs attached too each latch. Pull down and away to remove.

**CAUTION** SHORTENING THE CABLE LENGTH IN AN ATTEMPT TO MORE SECURELY HOLD THE LAPTOP IN PLACE COULD RESULT IN DAMAGE TO YOUR COMPUTER. THE SPRINGS UNDERNEATH THE DESKTOP SHOULD NEVER BE STRETCHED MORE THAN 3 TIMES THE ORIGINAL LENGTH.

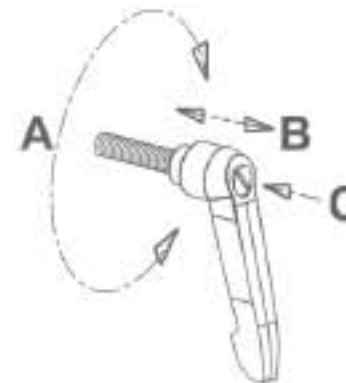
# INSTALLATION PROCEDURE

READ INSTRUCTIONS BEFORE BEGINNING INSTALLATION

**PLEASE CHECK ALL BOX FLAPS AND INSERTS FOR PARTS STORED UNDERNEATH BEFORE DISCARDING BOX!**



- 1 - Use flathead screwdriver to remove plastic caps from passenger side front. Remove the two front seat nuts.
- 2 - Tilt seat back and slide both sides of the mount bracket under the left and right seat rails. Reinstall two front seat nuts and tighten.
- 3 - Assemble the desktop stand to the mount base, starting with the vertical tube. Use clover knob to secure vertical tube to mount post.
- 4 - Place articulated swing arm over the 5/8" end of the telescoping rod. Tighten with ratchet handle.
- 5 - Attach desktop to end of articulated swing arm and secure by tightening ratchet handle.



## RATCHET CLAMP OPERATION

**NOTE:** Ratchet handles are spring loaded and can be readjusted to tighten.

To adjust, pull handle out (B) and rotate counter clockwise (A), release and tighten. If needed, use standard screwdriver in slot for adjustment (C)

**NOTE:** Insert the ratchet handle through the unthreaded side of the articulated swing arm and tighten.



1 No Holes Base  
425-3243R



Vertical tube assembly  
1 Tube &  
Telescoping Rod  
425-5342R



1 Desktop  
425-5215R



1 Articulated  
Swing Arm  
425-1188R



1 Clover Knob  
425-3136R



2 Ratchet  
Handles  
425-1273R



6 Foam  
Pads  
425-2496R

1-866-587-4661

**JOTTO DESK®**  
WWW.JOTTODESK.NET