

JOTTO DESK ACCESSORIES

Specifications subject to change without notice



1 No Holes Base
425-5637



Vertical Tube Assembly
1 Tube &
Telescoping Rod
425-5341



1 Desktop
425-5215



1 Articulated
Swing Arm
425-1188



1 Hardware Bag
425-3378

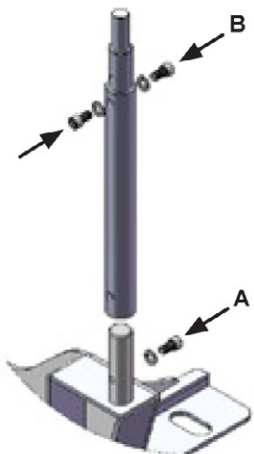


2 Ratchet
Handles
425-1273



6 Foam
Pads
425-2496

STAND ASSEMBLY OPERATION



1. Remove Hex Head Cap Screws from stand assembly and place tube over the No-Holes Mount Base.
2. Thread a Hex Head Cap Screw with a Lock Washer through tube and into front of No Holes Mount post at bottom of tube. (A)
3. Raise inner rod to desired height. Thread (2) Hex Head Cap Screws with (2) Lock Washers into front and rear holes at top of tube. (B)
4. Use 1/4" Hex Key to tighten (3) Hex Head Cap Screws to ensure secure positioning.

'15+ CHEVY COLORADO
Computer Mount - No Holes

425-5638/5215

JOTTO DESK®

www.jottodesk.net



**PLEASE CHECK ALL BOX
FLAPS AND INSERTS
FOR PARTS STORED
UNDERNEATH BEFORE
DISCARDING BOX.
THANK YOU.**

WARNING: Do not install or use this product in any manner which would interfere with any of the vehicles controls, air bags or safety devices. Follow vehicle owner's manual instructions should a dash warning light come on after installation of this desk. Do not install or use this product in any manner which causes a safety hazard for vehicle and/or occupants.

To avoid serious injury do not place this desk or any objects between the air bags and yourself or any passengers. If necessary remove the desk before driving. Store in trunk or other safe place.

**We recommend that you do not work on the Jotto Desk while driving!
Park safely, then use. Remember, driving safely comes first.**

WARNING: Make sure of and check on a regular basis that all knobs, fastening devices and handles are tight and secure. Repair or replace any faulty or worn parts. All equipment, such as computers, printers, phones, etc. must be safely secured when vehicle is in motion.

DISCLAIMER: The manufacturer of this product may not be held liable for any accidents, injuries or problems caused by the use or installation of this product.

Specifications subject to change without notice.

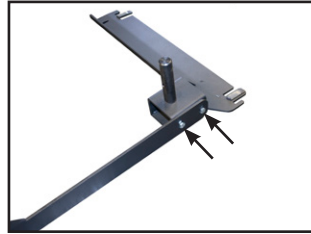
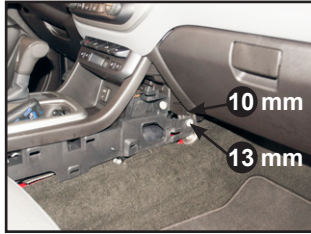
Jotto Desk® is a patented product and registered trademark of Assembled Products® Corporation
425-5638/5215II 06/15

www.jottodesk.net
Toll Free 1-866-314-5427

DIVERSIFIED
PRODUCTS.NET
Is an Authorized Distributor of Jotto Desk Products.

INSTALLATION PROCEDURE

READ INSTRUCTIONS BEFORE BEGINNING INSTALLATION



Slide P/S completely back. Remove OEM trim piece on lower transmission hump nearest the P/S seat.

Remove 10mm and 13mm bolts and set aside.

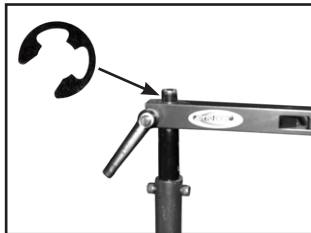
Outside of vehicle, attach brace to base using provided 7/16" bolts and nuts (2).



Position base tabs under P/S seat rails and hammer into place with rubber mallet. Brace will slide under plastic trim piece where 13mm bolt was.

Secure brace using OEM bolts. Tighten all hardware.

Reinstall OEM trim piece.

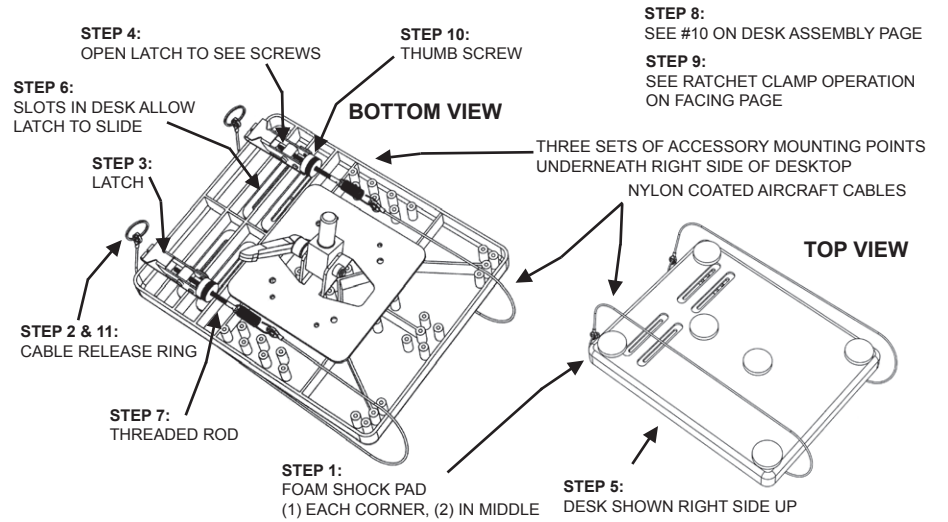


Assemble the desktop stand to the mounted base, starting with the vertical tube. Use 1 hex head cap screw and lock washer to secure vertical tube to mount post.

Place articulated swing arm over the 5/8" end of the telescoping rod. Tighten with ratchet handle. Attach C Clip to top of rod.

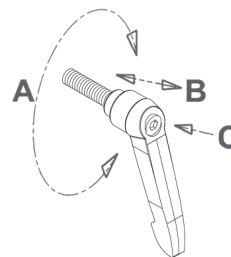
Attach ACD Cable Desktop to end of articulated swing arm and secure by tightening ratchet handle. Attach C clip to bottom on mounting post.

SETTING UP THE "ACD" CABLE-DOCK DESKTOP



CAUTION SHORTENING THE CABLE LENGTH IN AN ATTEMPT TO MORE SECURELY HOLD THE LAPTOP IN PLACE COULD RESULT IN DAMAGE TO YOUR COMPUTER. THE SPRINGS UNDERNEATH THE DESKTOP SHOULD NEVER BE STRETCHED MORE THAN 3 TIMES THE ORIGINAL LENGTH.

RATCHET CLAMP OPERATION



NOTE: Insert the ratchet handle through the unthreaded side of the articulated swing arm and tighten. Going through threaded side first will not allow the arm to tighten properly

To adjust, pull handle out (B) and rotate counter clockwise (A), release and tighten. If needed, use 1/8" hex head wrench for adjustment (C)

NOTE: Ratchet handles are spring loaded and can be readjusted to tighten.