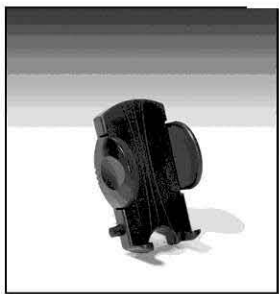


JOTTO DESK ACCESSORIES

Specifications subject to change without notice



UNIVERSAL PHONE HOLDER
Model 5159

Gripmatic® Universal Cell Phone Holder grips all shapes of phones and has a quick release. Must be used with Sidesaddle.



PDA HOLDER
Model 1308

Conveniently mounts your Palm Pilot™ or other PDA system to the Desktop. Must be used with Sidesaddle.



CABLE-DOCK® LITTLELITE
Model 1301

18" flexible wand with red filtered light and rheostat to adjust brightness. Three foot power cord plugs into cigarette lighter. 12" also available.



TELESCOPING RODS

8" Rod Model 1487
10" Rod Model 1136
14" Rod Model 1270



PIVOTING SIDESADDLE
Model 5225

Used to secure phone or palm holder to right side of desktop. The Pivoting Sidesaddle pivots independent of desktop angle.



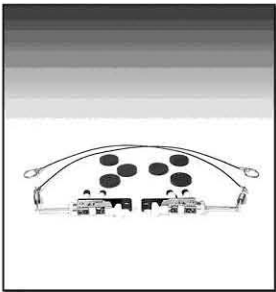
STATIONARY SIDESADDLE
Model 5224

Used to secure phone or palm holder to right side of desktop.



BRACE KIT
Model 5238

The Brace Kit attaches to the stand providing additional support. It can be adjusted in length and mounts on flat, vertical or angled surfaces.



CABLE-DOCK® UPGRADE KIT
Model 5237

Firmly secures computer to the desktop with a series of cables and latches.



SCREEN HOLDER
Model 1302

The Screen Holder is designed to keep your screen in place while you use your computer. It attaches directly to the desk and adjusts in height and tilt.



Chevy/Hummer Pickup/SUV

Computer Mount - No Holes

w/ Cable-Dock Desktop

Unit Code G200



WARNING: Do not install or use this product in any manner which would interfere with any of the vehicles controls, air bags or safety devices. Do not install or use this product in any manner which causes a safety hazard for vehicle and/or occupants.

To avoid serious injury do not place this desk or any objects between the air bags and yourself or any passengers. If necessary remove the desk before driving. Store in trunk or other safe place.

We recommend that you do not work on the Jotto Desk while driving! Park safely, then use. Remember, driving safely comes first.

WARNING: Make sure of and check on a regular basis that all knobs, fastening devices and handles are tight and secure. Repair or replace any faulty or worn parts. All equipment, such as computers, printers, phones, etc. must be safely secured when vehicle is in motion.

DISCLAIMER: The manufacturer of this product may not be held liable for any accidents, injuries or problems caused by the use or installation of this product.

Specifications subject to change without notice.

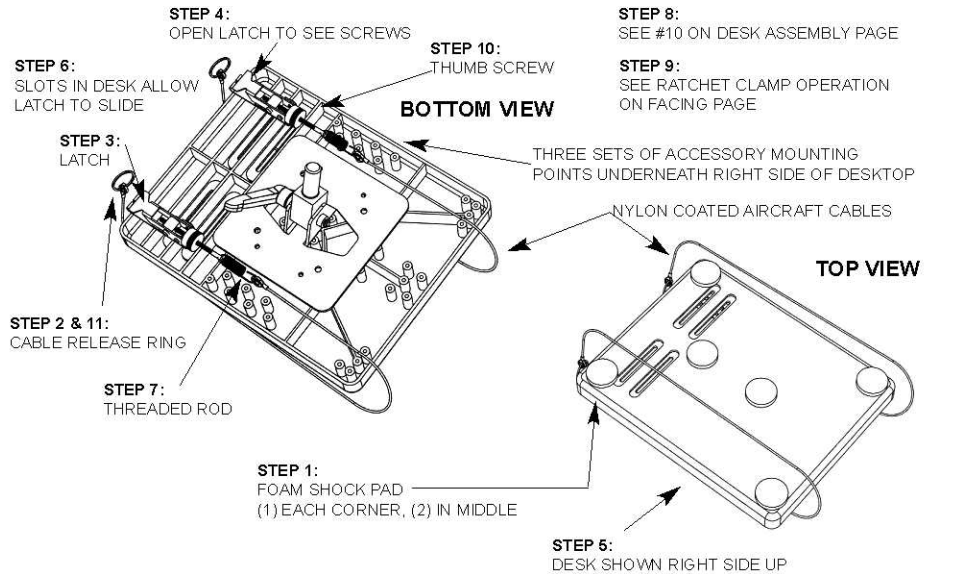
Jotto Desk® is a patented product and registered trademark of Assembled Products® Corporation

Form5315 020405

www.jottodesk.us
Toll Free: 1-866-314-5427

Distributed By: **DIVERSIFIED**
PRODUCTS.NET

SETTING UP THE "ACD" CABLE-DOCK DESKTOP



- STEP 1** Place the six foam shock pads on desktop surface in a similar pattern as shown.
- STEP 2** Free cables from latches and flip desktop over, keep latches on right side.
- STEP 3** Open bottom latch to access the two adjusting screws for properly locating the latch location in desk slots (you may need to screw the long threaded rod out of the way).
- STEP 4** Use a standard blade screwdriver to loosen (but not remove) the two screws.
- STEP 5** Turn desk right side up with the latches on the left side. Place computer on top and line up top cable to rest above the "F" (function) keys, then secure by throwing latch.
- STEP 6** Slide bottom latch and cable to desired position, usually just below last row of keys and secure. If needed, fine tune bottom latch position. Now tighten the two latch screws.
- STEP 7** Adjust the tightening tension of the cables by rolling the cable between the thumb and fingers. This will turn the threaded rod in the latch and thereby adjust the cable length to achieve the desired tension.

CAUTION: DO NOT SHORTEN THE CABLES TO A POINT WHERE THE SPRING UNDER THE DESKTOP IS STRETCHED MORE THAN 3X THE ORIGINAL LENGTH WHEN LATCH ASSEMBLY IS CLOSED.

- STEP 8** Place the desktop on the arm, setting the pivot post found underneath the desktop into hole at end of arm.
- STEP 9** To set the desktop angle, adjust, ratchet handle to securely tighten desktop in desired angle. Adjust, ratchet handle at end of articulated swing arm so that the desktop should be able to rotate with firm hand pressure.
- STEP 10** To prevent release of latch, use thumb screw to tighten against the latch. To release the latch back thumb screw one full turn and throw latch.
- STEP 11** To release and secure cables, pull down on metal ring at end of cable and feed cable into the forked prongs attached too each latch. Pull down and away to remove.

CAUTION SHORTENING THE CABLE LENGTH IN AN ATTEMPT TO MORE SECURELY HOLD THE LAPTOP IN PLACE COULD RESULT IN DAMAGE TO YOUR COMPUTER. THE SPRINGS UNDERNEATH THE DESKTOP SHOULD NEVER BE STRETCHED MORE THAN 3 TIMES THE ORIGINAL LENGTH.

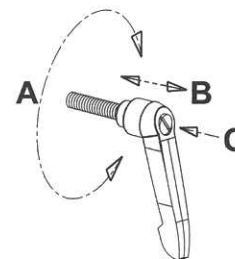
INSTALLATION PROCEDURE

READ INSTRUCTIONS BEFORE BEGINNING INSTALLATION

Item	Qty	Model No.	Description
1	1	425-2225	"No Holes" Mounting Base
2	1	425-5342	1 2" Rod and 1 0" tube
3		425-1273	Ratchet Handles
4	1	425-1188	Articulated Swing Arm
5	1	425-5215	10" x12" Cable-Dock Desktop Assembly
			Hardware Bag: 3 Ratchet Handles, End Cap and 6 Foam Pads

CALL FOR INDIVIDUAL PART NUMBERS

- 1 - Remove plastic cap from front left seat rail nut. Remove two front seat nuts from passenger side seat rails. Tilt seat back and slide the right side of mount bracket under the right seat rail.
- 2 - Place left side of mount bracket on top of left seat rail. Reinstall nuts on threaded stud.
- 3 - Assemble the desktop stand to the mount bracket, starting with the vertical tube. Use ratchet handle to secure vertical tube to mount post.
- 4 - Place articulated swing arm over the 5/8" end of the telescoping rod. Tighten with ratchet handle. Place black vinyl cap over protruding rod end.
- 5 - Attach Desktop to end of articulated swing arm and secure by tightening ratchet handle.



RATCHET CLAMP OPERATION

NOTE: Ratchet handles are spring loaded and can be readjusted to tighten.

To adjust, pull handle out (B) and rotate counter clockwise (A), release and tighten. If needed, use standard screwdriver in slot for adjustment (C)

NOTE: Insert the ratchet handle through the unthreaded side of the articulated swing arm and tighten.